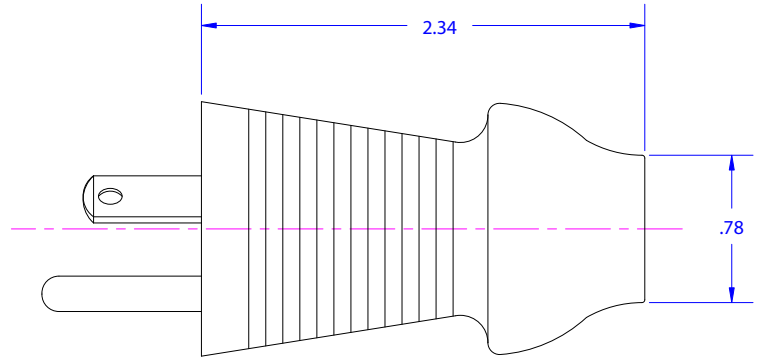
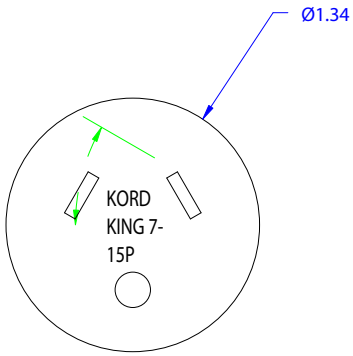


REVISIONS

| REV | DESCRIPTION                                  | DATE     | APPROVED |
|-----|--|----------|----------|
| XX  | XX | MO/DY/YR | XXX      |

.038 MIN IF U-SHAPE  
.027 MIN IF TUBULAR



PROPRIETARY INFORMATION  
KORD KING, INC.  
ALL RIGHTS RESERVED

THIS DOCUMENT CONTAINS CONFIDENTIAL AND PROPRIETARY INFORMATION OF KORD KING AND ITS RECEIPT OR POSSESSION DOES NOT CONVEY ANY RIGHTS TO REPRODUCE, DISCLOSE ITS CONTENTS, OR TO MANUFACTURE, USE OR SELL ANYTHING IT MAY DESCRIBE. REPRODUCTION, DISCLOSURE, OR USE WITHOUT SPECIFIC WRITTEN AUTHORIZATION OF KORD KING IS STRICTLY FORBIDDEN.

|   |      |  |       |        |                  |
|---|------|--|-------|--------|------------------|
| <b>TOLERANCES</b><br>FRACTIONAL ± 1/8<br>2 PLACE DEC. ± 0.060<br>3 PLACE DEC. ± 0.030 |      | <b>KORD KING, INC.</b><br><br>(HPM) PLUG<br>NEMA 7-15P |       |        |                  |
| <b>MATERIAL SPEC</b><br>PLUG: PVC   |      |  |       |        | SIZE<br><b>A</b> |
| SCALE   | NONE | DRAWN BY: NICK B<br>DATE DWN: 6/7/01                   | SHEET | 1 OF 1 |                  |