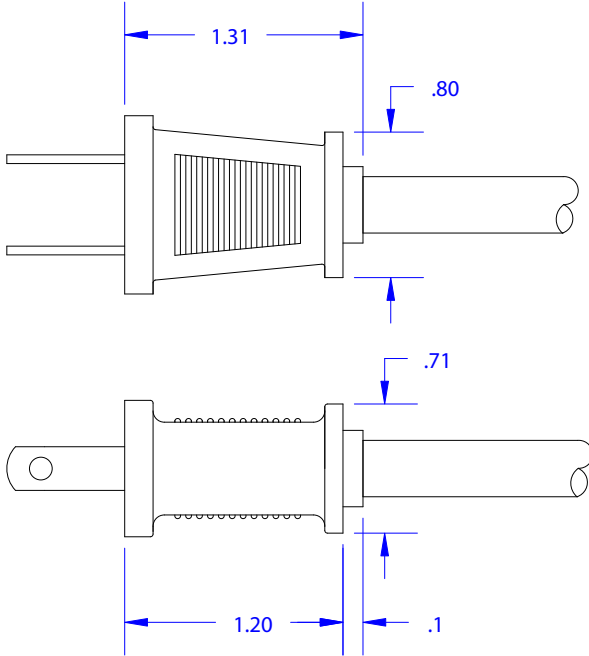
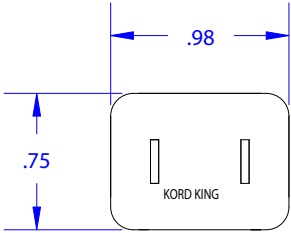


REVISIONS			
REV	DESCRIPTION	DATE	APPROVED
XX	XX	MO/DY/YR	XXX



PROPRIETARY INFORMATION  
KORD KING, INC.  
ALL RIGHTS RESERVED

THIS DOCUMENT CONTAINS CONFIDENTIAL AND PROPRIETARY INFORMATION OF KORD KING AND ITS RECEIPT OR POSSESSION DOES NOT CONVEY ANY RIGHTS TO REPRODUCE, DISCLOSE ITS CONTENTS, OR TO MANUFACTURE, USE OR SELL ANYTHING IT MAY DESCRIBE. REPRODUCTION, DISCLOSURE, OR USE WITHOUT SPECIFIC WRITTEN AUTHORIZATION OF KORD KING IS STRICTLY FORBIDDEN.

<b>TOLERANCES</b> FRACTIONAL ± 1/8 2 PLACE DEC. ± 0.060 3 PLACE DEC. ± 0.030	<b>KORD KING, INC.</b>			
	PLUG, NEMA 1-15P			
<b>MATERIAL SPEC</b> PLUG: PVC	SIZE	FSCM NO.	DWG NO.	REV
	A		KK2000	XX
SCALE	NONE	DRAWN BY: NICK DATE DWR: 2/13/02	SHEET	1 OF 1