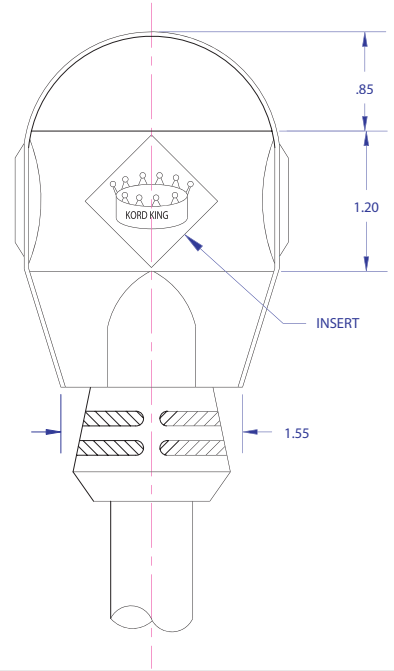
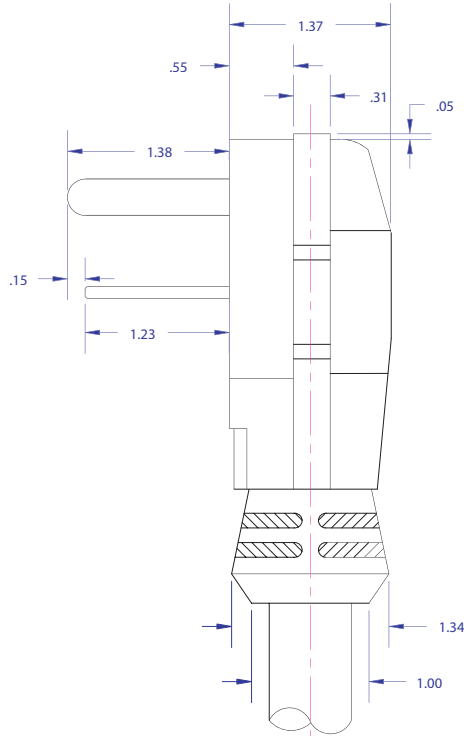
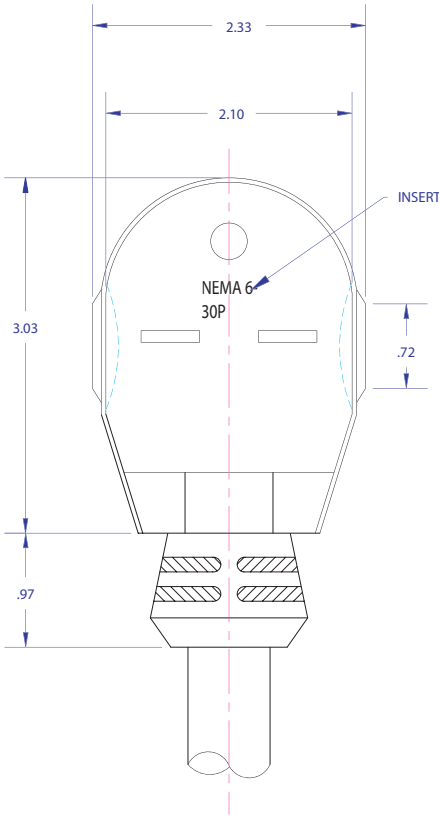


REVISIONS			
REV	DESCRIPTION	DATE	APPROVED
XX	XX	MO/DY/YR	XXX



**PROPRIETARY INFORMATION
KORD KING, INC.
ALL RIGHTS RESERVED**

THIS DOCUMENT CONTAINS CONFIDENTIAL AND PROPRIETARY INFORMATION OF KORD KING AND ITS RECEIPT OR POSSESSION DOES NOT CONVEY ANY RIGHTS TO REPRODUCE, DISCLOSE ITS CONTENTS, OR TO MANUFACTURE, USE OR SELL ANYTHING IT MAY DESCRIBE. REPRODUCTION, DISCLOSURE, OR USE WITHOUT SPECIFIC WRITTEN AUTHORIZATION OF KORD KING IS STRICTLY FORBIDDEN.

TOLERANCES FRACTIONAL $\pm 1/64$ 2 PLACE DEC. ± 0.010 3 PLACE DEC. ± 0.005		KORD KING, INC. MOLDED PLUG NEMA 6-30P	
MATERIAL SPEC MAT'L: PVC GRADE: THICK:			
SIZE A	FSCM NO.	DWG NO. KK-6-30P	REV XX
SCALE	NONE	DRAWN BY: 04/19/06 DATE DWN: NICK	SHEET 1 OF 1