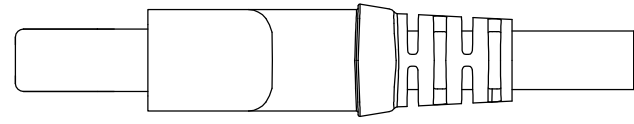
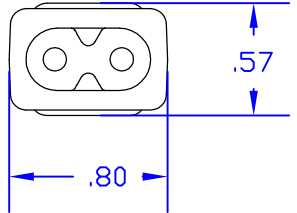
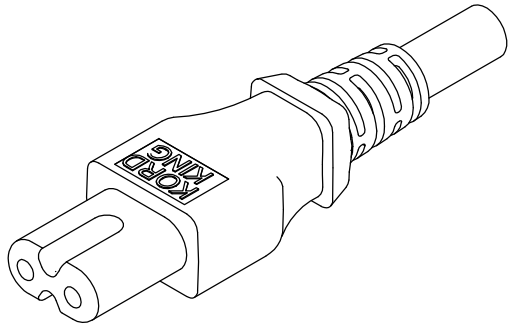
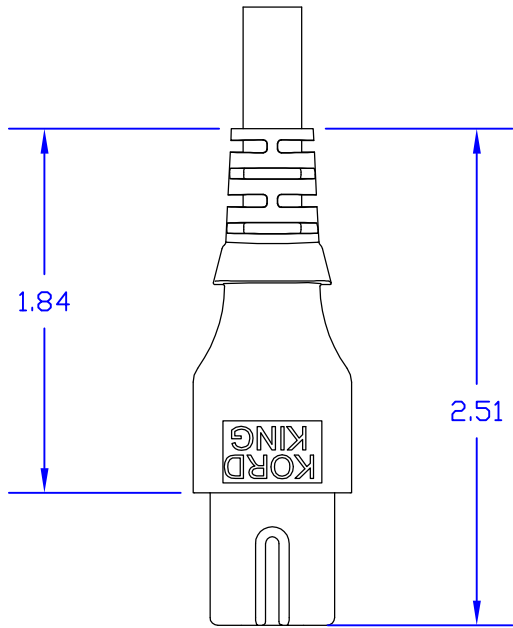


REVISIONS			
REV	DESCRIPTION	DATE	APPROVED
XX	XX	MO/DY/YR	XXX



PROPRIETARY INFORMATION  
**KORD KING, INC.**  
 ALL RIGHTS RESERVED

THIS DOCUMENT CONTAINS CONFIDENTIAL AND PROPRIETARY INFORMATION OF KORD KING AND IT'S RECEIPT OR POSSESSION DOES NOT CONVEY ANY RIGHTS TO REPRODUCE, DISCLOSE IT'S CONTENTS, OR TO MANUFACTURE, USE OR SELL ANYTHING IT MAY DESCRIBE. REPRODUCTION, DISCLOSURE, OR USE WITHOUT SPECIFIC WRITTEN AUTHORIZATION OF KORD KING IS STRICTLY FORBIDDEN.

<u>TOLERANCES</u> AS NOTED		<b>KORD KING, INC.</b>			
<u>MATERIAL SPEC</u> PLUG: PVC					
SIZE A	FSCM NO.	DWG NO.	KK10000 C-7	REV	XX
SCALE	NONE	DRAWN BY: AD DATE DWN: 08/06/16	SHEET	1 OF 1	