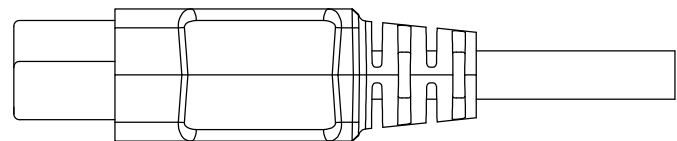
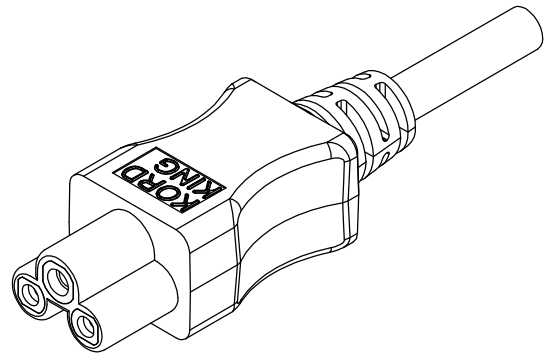
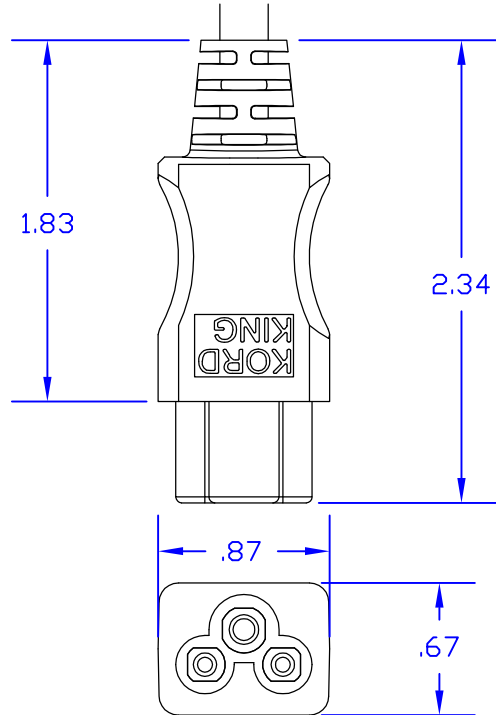


| REVISIONS |  |          |          |
|-----------|--|----------|----------|
| REV       | DESCRIPTION                                  | DATE     | APPROVED |
| XX        | XX | MO/DY/YR | XXX      |



PROPRIETARY INFORMATION  
**KORD KING, INC.**  
 ALL RIGHTS RESERVED

THIS DOCUMENT CONTAINS CONFIDENTIAL AND PROPRIETARY INFORMATION OF KORD KING AND IT'S RECEIPT OR POSSESSION DOES NOT CONVEY ANY RIGHTS TO REPRODUCE, DISCLOSE IT'S CONTENTS, OR TO MANUFACTURE, USE OR SELL ANYTHING IT MAY DESCRIBE. REPRODUCTION, DISCLOSURE, OR USE WITHOUT SPECIFIC WRITTEN AUTHORIZATION OF KORD KING IS STRICTLY FORBIDDEN.

|                                   |                                    |                        |                 |     |           |
|-----------------------------------|------------------------------------|------------------------|-----------------|-----|-----------|
| <u>TOLERANCES</u><br>AS NOTED     |                                    | <b>KORD KING, INC.</b> |                 |     |           |
| <u>MATERIAL SPEC</u><br>PLUG: PVC |                                    |                        |                 |     |           |
| SIZE<br>A                         | FSCM NO.                           | DWG NO.                | KK10000         | C-5 | REV<br>XX |
| SCALE<br>NONE                     | DRAWN BY: AD<br>DATE DWN: 08/06/16 |                        | SHEET<br>1 OF 1 |     |           |