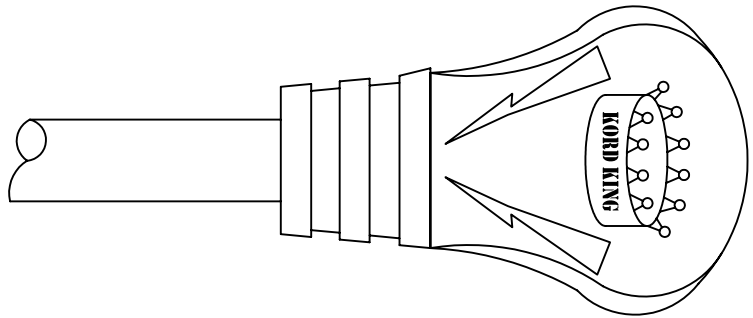
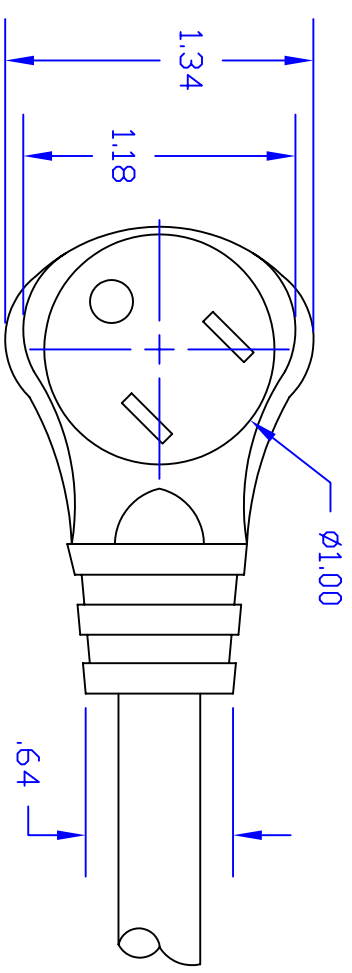
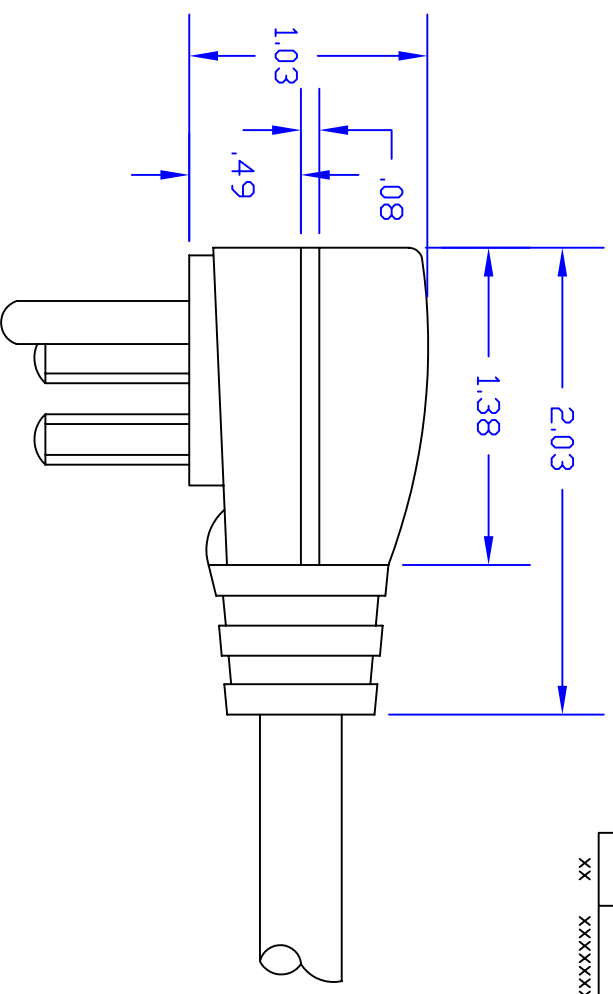


REVISIONS

REV	DESCRIPTION	DATE	APPROVED
XX	XXXXXXXXXXXXXXXXXXXXXXXXXXXXXXXXXXXX	MO/DY/YR	XXX



PROPRIETARY INFORMATION
KORD KING, INC.

ALL RIGHTS RESERVED
THIS DOCUMENT CONTAINS CONFIDENTIAL AND PROPRIETARY INFORMATION OF KORD KING AND ITS RECEIPT OR POSSESSION DOES NOT CONVEY ANY RIGHTS TO REPRODUCE, DISCLOSE ITS CONTENTS, OR TO MANUFACTURE, USE OR SELL, ANYTHING IT MAY DESCRIBE, REPRODUCTION, DISCLOSURE, OR USE WITHOUT SPECIFIC WRITTEN AUTHORIZATION OF KORD KING IS STRICTLY FORBIDDEN.

TOLERANCES
AS NOTED

MATERIAL SPEC

KORD KING, INC.
5-15 RA 315
PLUG

SIZE	FSCM NO.	DWG NO.	REV
A		KK19000-ORA-315	XX
SCALE	NONE	DRAWN BY: NICK DATE DWN: 5/18/05	SHEET
			1 OF 1