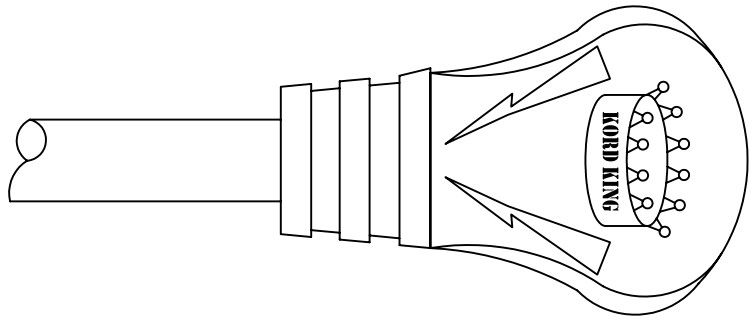
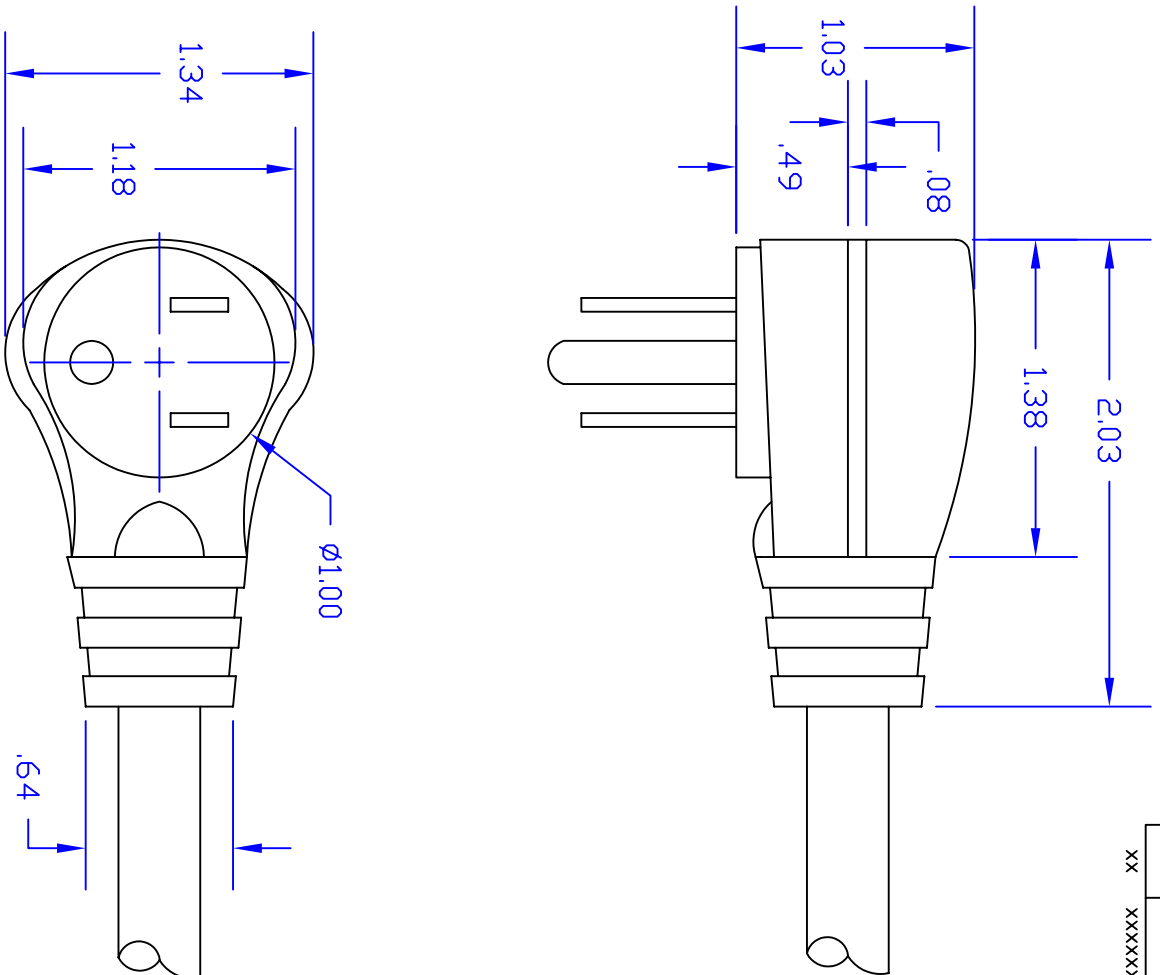


REVISIONS

REV	DESCRIPTION	DATE	APPROVED
XX	XXXXXXXXXXXXXXXXXXXXXXXXXXXXXXXXXXXXXXXXXXXXXXXXXXXXXXXXXXXX	MO/DY/YR	XXX



PROPRIETARY INFORMATION
 KORD KING, INC.

ALL RIGHTS RESERVED
 THIS DOCUMENT CONTAINS CONFIDENTIAL AND PROPRIETARY INFORMATION OF KORD KING AND IT'S RECEIPT OR POSSESSION DOES NOT CONVEY ANY RIGHTS TO REPRODUCE, DISCLOSE IT'S CONTENTS, OR TO MANUFACTURE, USE OR SELL ANYTHING IT MAY DESCRIBE. REPRODUCTION, DISCLOSURE, OR USE WITHOUT SPECIFIC WRITTEN AUTHORIZATION OF KORD KING IS STRICTLY FORBIDDEN.

TOLERANCES AS NOTED		KORD KING, INC.			
MATERIAL SPEC					
SIZE	FSCM NO.	DWG NO.	5-15 RA 270*		REV
A		KK19000-ORA-270	PLUG		XX
SCALE	NONE	DRAWN BY: NICK	DATE DWN: 5/18/05	SHEET	1 OF 1