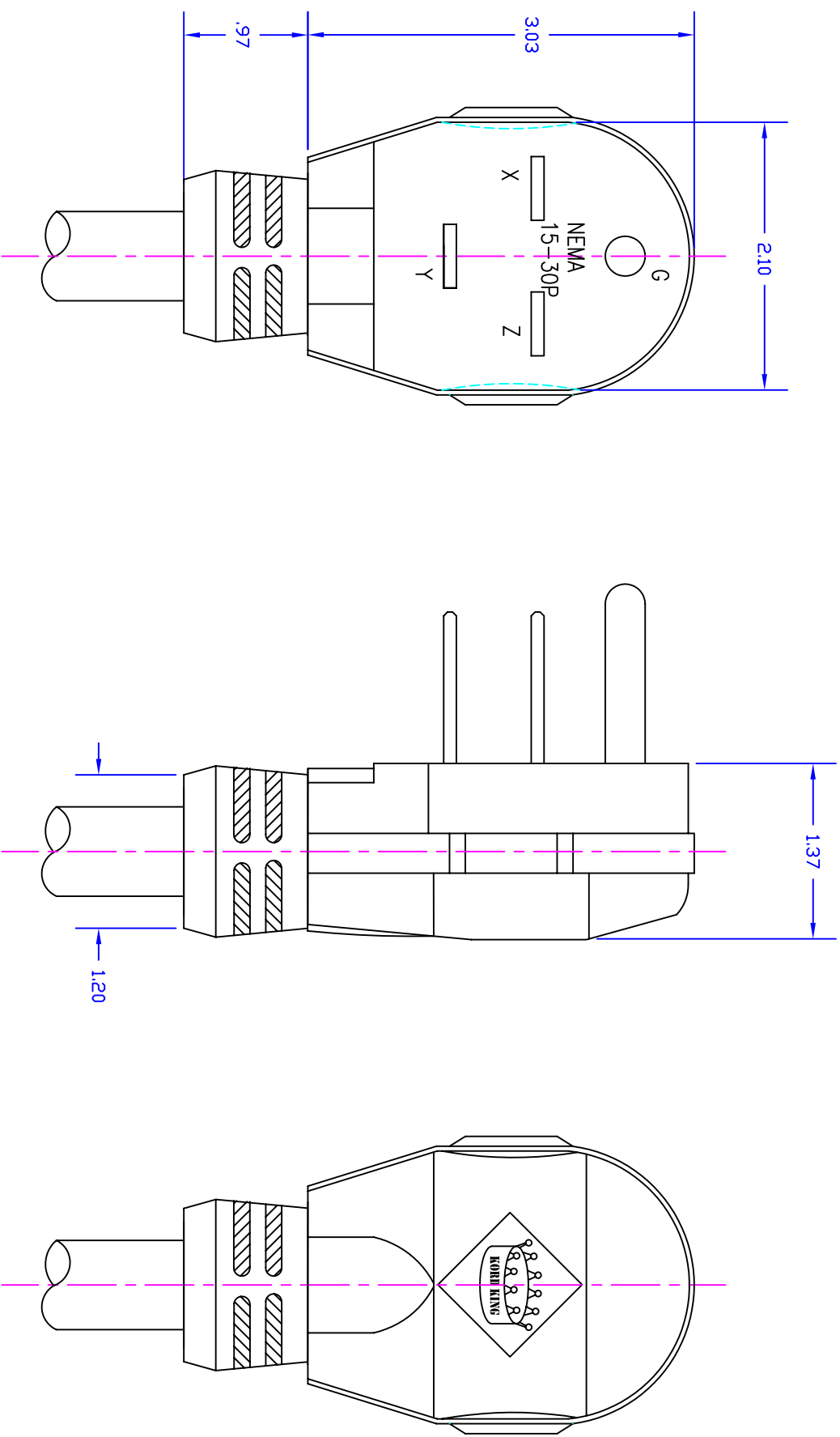


REVISIONS

REV	DESCRIPTION	DATE	APPROVED
A	15-30 RANGEPLUG	12/22/11	NDB



PROPRIETARY INFORMATION
KORD KING, INC.

ALL RIGHTS RESERVED
THIS DOCUMENT CONTAINS CONFIDENTIAL AND PROPRIETARY INFORMATION OF KORD KING AND IT'S RECEIPT OR POSSESSION DOES NOT CONVEY ANY RIGHTS TO REPRODUCE, DISCLOSE IT'S CONTENTS, OR TO MANUFACTURE, USE OR SELL ANYTHING IT MAY DESCRIBE. REPRODUCTION, DISCLOSURE, OR USE WITHOUT SPECIFIC WRITTEN AUTHORIZATION OF KORD KING IS STRICTLY FORBIDDEN.

TOLERANCES		KORD KING, INC.			
MATERIAL SPEC					
MAT'L:		SIZE	FSCM NO.	DWG NO.	REV
GRADE:		A		KK15-30P	XX
THICK:		SCALE	NONE	DRAWN BY: 12/22/11	SHEET
				DATE DWN: INCK	1 OF 1

MOLDED PLUG
NEMA 15-30P