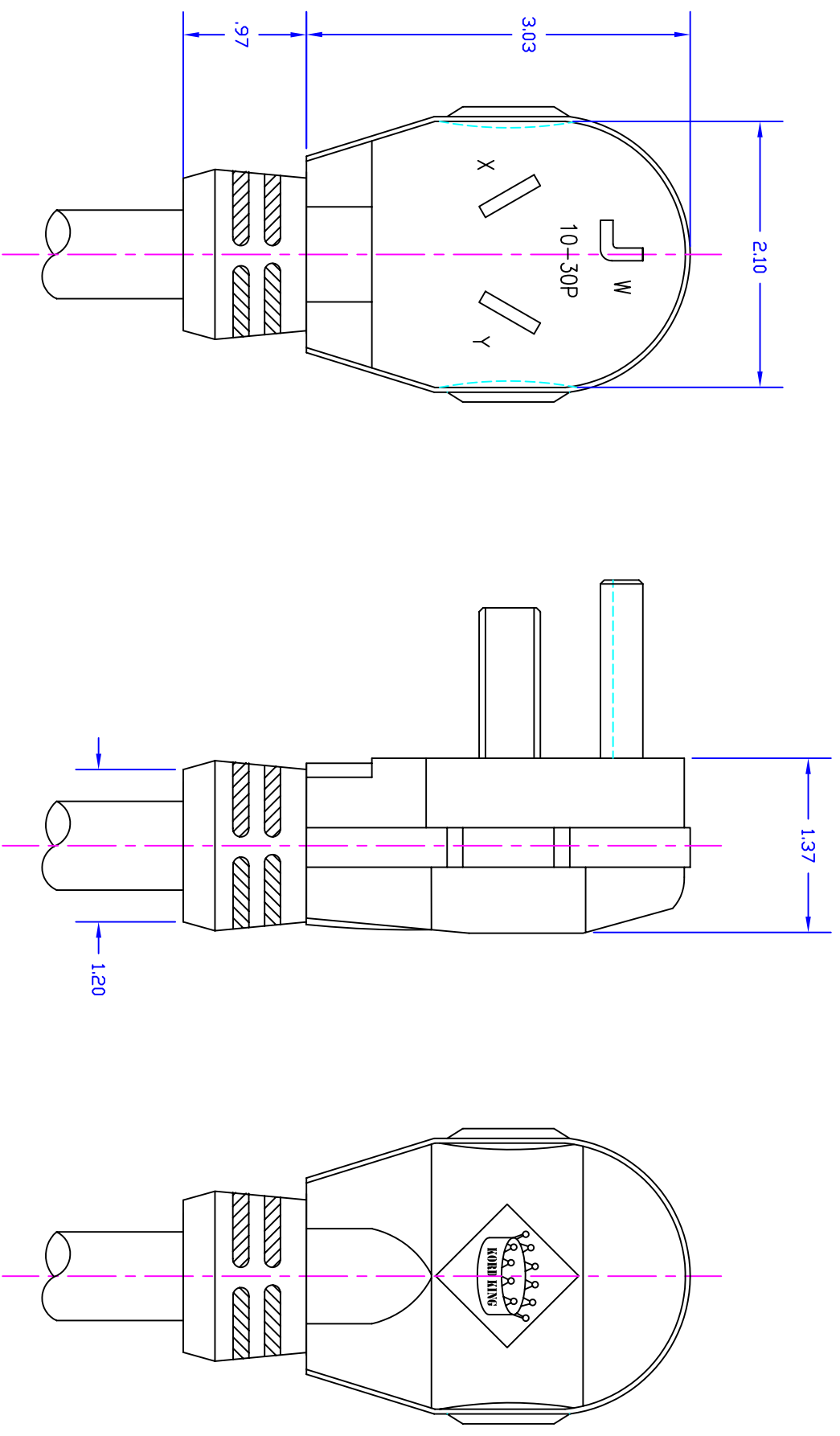


REVISIONS

REV	DESCRIPTION	DATE	APPROVED
A	15-50 RANGEPLUG	12/22/11	NDB



PROPRIETARY INFORMATION  
KORD KING, INC.

ALL RIGHTS RESERVED  
THIS DOCUMENT CONTAINS CONFIDENTIAL AND PROPRIETARY INFORMATION OF KORD KING AND IT'S RECEIPT OR POSSESSION DOES NOT CONVEY ANY RIGHTS TO REPRODUCE, DISCLOSE IT'S CONTENTS, OR TO MANUFACTURE, USE OR SELL ANYTHING IT MAY DESCRIBE. REPRODUCTION, DISCLOSURE, OR USE WITHOUT SPECIFIC WRITTEN AUTHORIZATION OF KORD KING IS STRICTLY FORBIDDEN.

TOLERANCES		KORD KING, INC.			
MATERIAL SPEC					
MAT'L:	GRADE:	SIZE	FSCM NO.	DWG NO.	REV
THICK:		A		KK10-30P	XX
		SCALE	NONE	DRAWN BY: 12/22/11	SHEET 1 OF 1
		MOLED PLUG NEMA 10-30P			