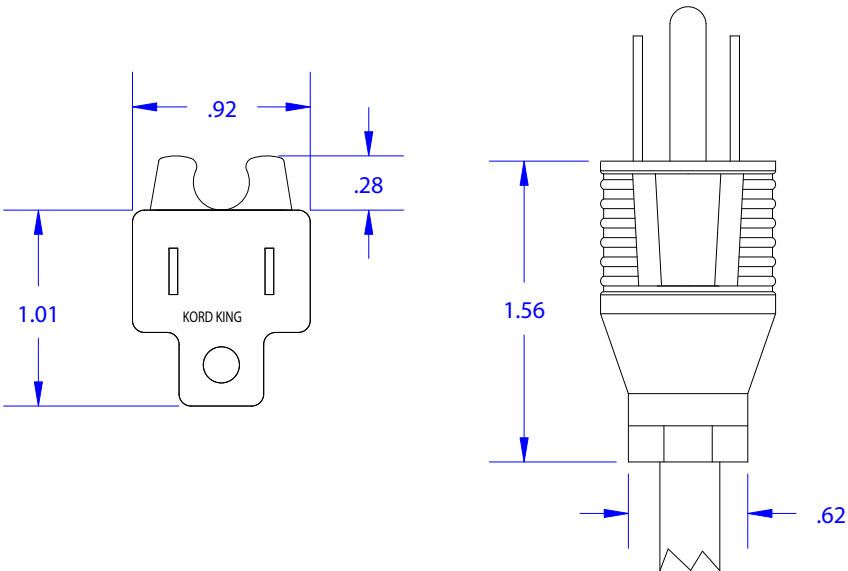


REVISIONS			
REV	DESCRIPTION	DATE	APPROVED
XX	XXX	MO/DY/YR	XXX



PROPRIETARY INFORMATION  
KORD KING, INC.  
ALL RIGHTS RESERVED

THIS DOCUMENT CONTAINS CONFIDENTIAL AND PROPRIETARY INFORMATION OF KORD KING AND ITS RECEIPT OR POSSESSION DOES NOT CONVEY ANY RIGHTS TO REPRODUCE, DISCLOSE ITS CONTENTS, OR TO MANUFACTURE, USE OR SELL ANYTHING IT MAY DESCRIBE. REPRODUCTION, DISCLOSURE, OR USE WITHOUT SPECIFIC WRITTEN AUTHORIZATION OF KORD KING IS STRICTLY FORBIDDEN.

<b>TOLERANCES</b> FRACTIONAL ± 1/8 2 PLACE DEC. ± 0.060 3 PLACE DEC. ± 0.030		<b>KORD KING, INC.</b>  PLUG, CORD GRIP 5-15P			
<b>MATERIAL SPEC</b> PLUG: PVC		SIZE <b>A</b>	FSCM NO.	DWG NO. <b>CG1000</b>	REV <b>XX</b>
SCALE NONE		DRAWN BY: NICK DATE DWG: 3/5/03		SHEET 1 OF 1	